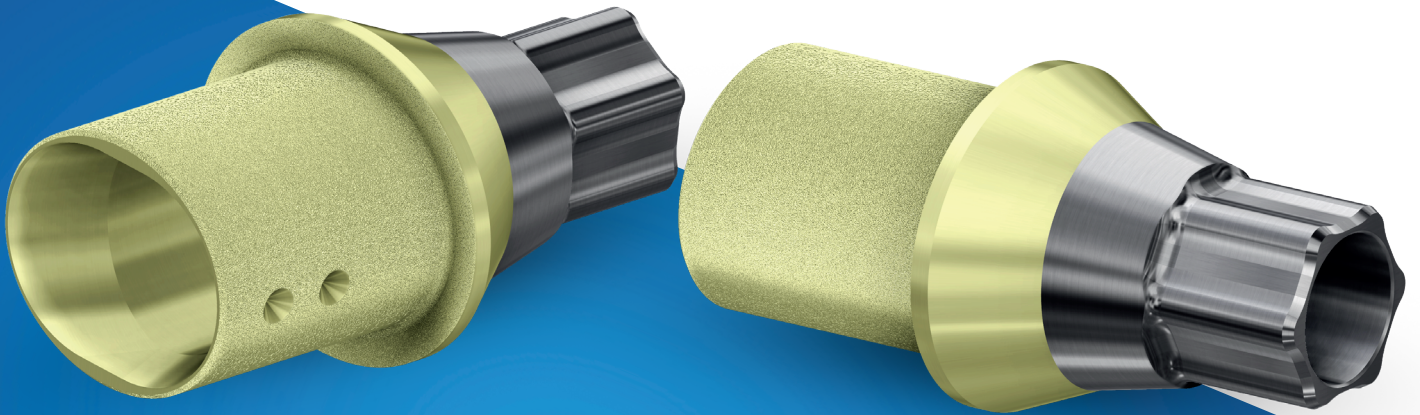


The logo icon for DESS consists of a blue silhouette of a circular saw blade with a serrated edge, positioned to the left of the text.

DESS

The logo icon for ELLIPTIBase features a blue, stylized, curved line that forms a partial circle around the text.

ELLIPTIBase®





Tight spaces not a problem

Restorations in positions where the interdental space is limited, have always been challenging, up until now, existing solutions would mean making sacrifices.

Either because of the lack of space for the correct amount of restorative material or when it come to achieving the best aesthetical result.

ELLIPTIBase® has been specially designed to solve these problems.

The elliptical design allowed us to increase the space for restorative material, whilst mantaining almost the same cementation area.

Available compatibilities:



NOBELACTIVE® &
NOBELREPLACE® CC



STRAUMANN® SOFT
TISSUE LEVEL &
synOcta®



STRAUMANN®
BONE LEVEL



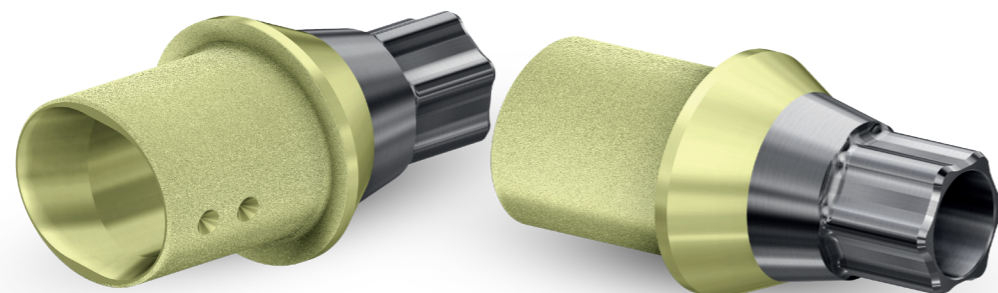
ZIMMER
SCREW-VENT®



ASTRA TECH IMPLANT
SYSTEM™ EV



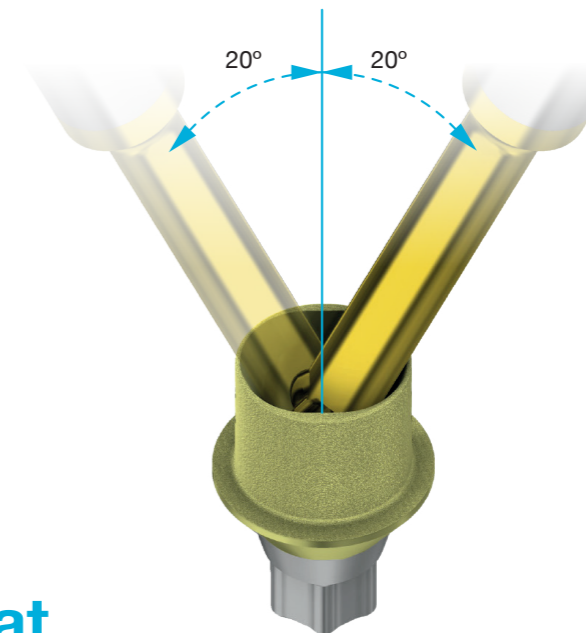
BIOHORIZONS®
INTERNAL



Aesthetic Advantages

The DESS® ELLIPTIBase® addresses all those problems that arise when working on restorations where a 3.0 or 3.5 implant is used, particularly the incisors positions. These restorations require for an improved aesthetical result and a strong restoration.

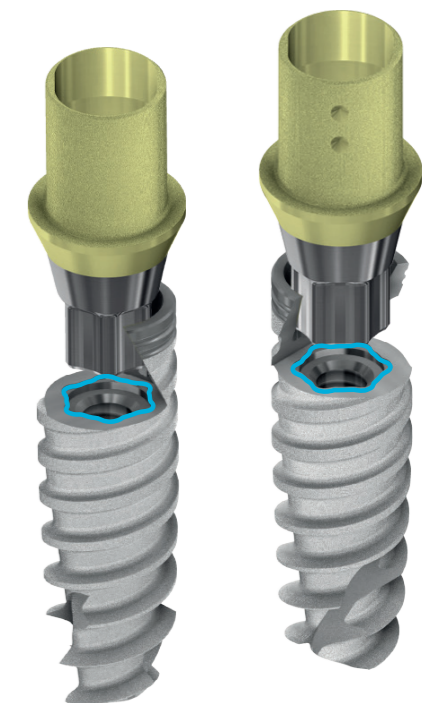
The 20° angulation on the access channel, combined with a lower shaft height will allow you to achieve the best aesthetical results without compromise.



Corner vs. Flat

Due to the shape of the ELLIPTIBase® we created corner and flat versions that depending on the orientation in which the implant has been placed, can be used to achieve the best result.

On any given hex connection the angle is of 45°, the corner connection would aid reducing the final angle of the shaft.



Shaft orientation

Implant position



Corner



Flat

ELLIPTIBase®



TECHNICAL INFORMATION

- Titanium Grade V ELI 23
- PerioCoat® and SelectGrip® surface treatment
- Elliptic design with minimized footprint
- Especially developed for narrow implants (3.0-3.3-3.5)
- Up to 20° bidirectional angulation of the ASC (Angulated Screw Channel)
- Typically a cementing surface 31,55mm²
- Shaft height of 3,0mm
- Combined with our free libraries for Exocad®, 3Shape®, Dental wings® and Blenderfordental®
- CE: Class IIb
- FDA: Class II



FEATURES

- Pure Switch® concept
- Torx Ball based screw socket
- Torx screw included
- Two orientations for clinical adaptation: corner and flat
- Optimal aesthetic screw channel exit



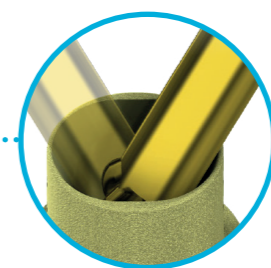
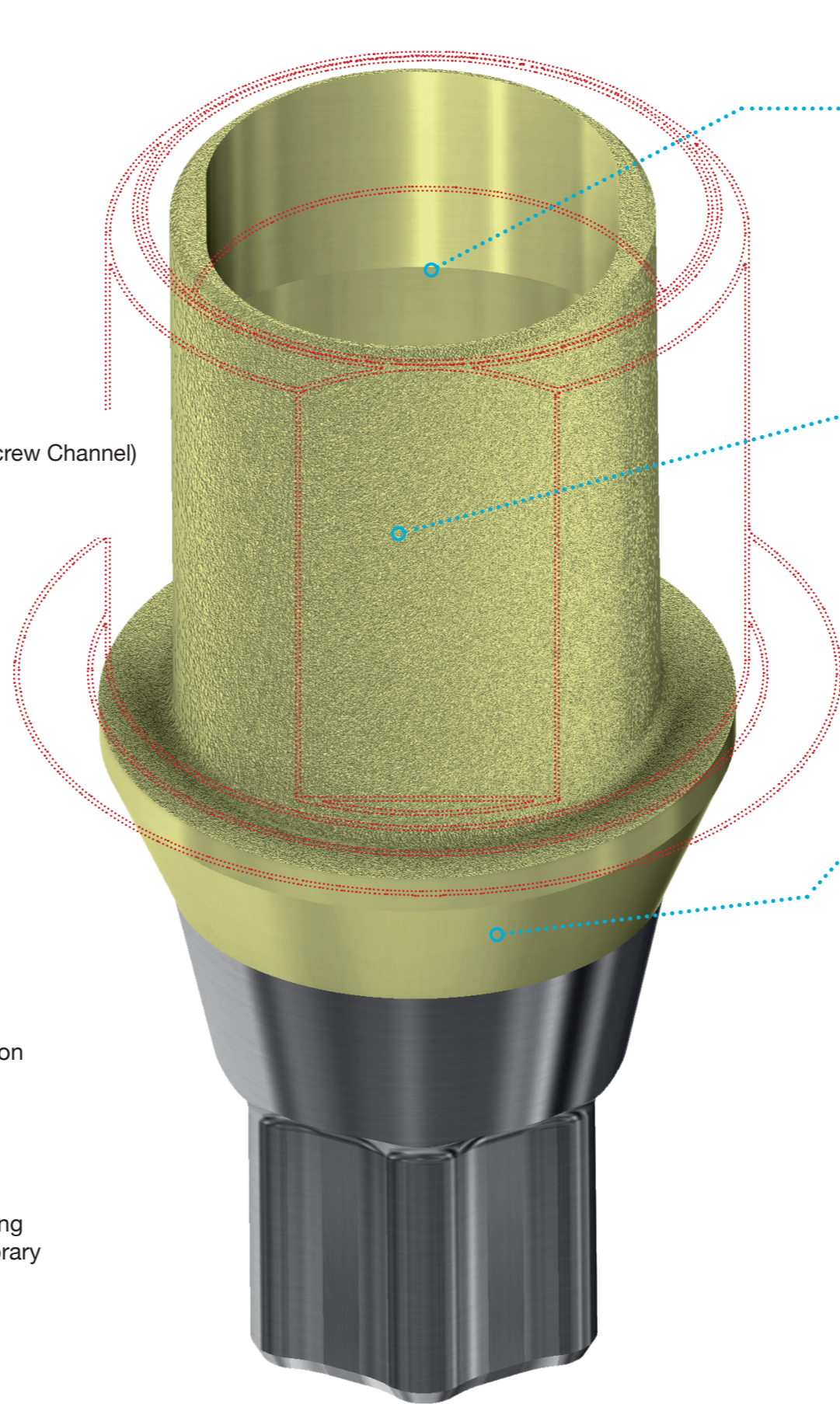
CLINICAL BENEFITS

- 22% width reduction compared to regular Ti-Base
- SelectGrip® surface treatment: 5x better cement retention
- PerioCoat®: increases the strength of the abutment
- Torx Ball screw: optimal torque even at maximum angulation
- Warmer gingival tone

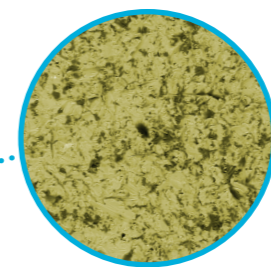


BUSINESS BENEFITS

- Pure Switch®: 100% compatible prosthetic connection
- SelectGrip® surface treatment reduces the risk of debonding
- Digital Workflow: a multi-platform prosthetic restoration library system to simplify the digital process
- Exclusive and innovative product in the market



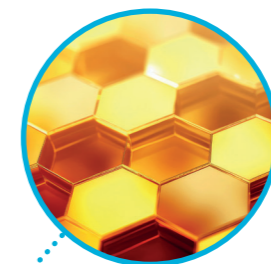
20° entry angle for a more aesthetical restoration.



SelectGrip®

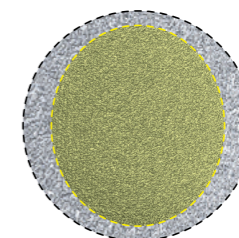
SelectGrip® surface treatment enhancement, improves overall retention up to **500%**.

Microscope view



periocoat®

- Less inflammation.
- Less plaque adhesion.
- Higher corrosion resistance.
- Easier to clean.
- 6x harder than Titanium Oxide.



Footprint

- ELLIPTIBase®
- TI-Base

Reduction in size of 22% almost the same cementation area.



NobelActive® NobelReplace® CC Active Hex		3.0	NP	RP	WP
		3.0	3.5	4.3/5.0	5.5
A corner		56.068			
B flat		57.068			
	Torx® Screw ELLIPTIBase®	19.468			



Straumann® Soft Tissue level & synOCTA® Octagon		3.5	NNC	RN	WN
		3.5		4.1/4.8	4.8/6.5
A corner		56.070			
B flat		57.070			
	Torx® Screw ELLIPTIBase®	19.441			



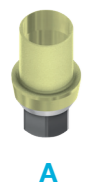
Straumann® Bone level® Conical BL		3.5	NP	RP	NP/RP
		3.5	NC/3.3	RC/4.1-4.8	NC/RC
A corner		56.043			
B flat		57.043			
	Torx® Screw ELLIPTIBase®	19.443			



Zimmer® Screw-vent Internal Hex USA		3.5	NP	RP	WP
		3.5	4.5	5.7	
A corner		56.017			
B flat		57.017			
	Torx® Screw ELLIPTIBase®	19.417			



Astra Tech implant system™ EV Conic EVO		3.0	EV/3.6	EV/4.2	EV/4.8	EV/5.4
		3.0	3.6	4.2	4.8	5.4
A corner		56.406				
B flat		57.406				
	Torx® Screw ELLIPTIBase®	19.331				



Biohorizons® internal Internal hex BH		3.0	NP	RP	WP
		3.0	3.5	4.5	5.7
A corner		56.099			
B flat		57.099			
	Torx® Screw ELLIPTIBase®	19.400			

All DESS products are manufactured according to ISO 9001 and ISO 13485 with CE marking for all products Class IIb IIa

All DESS® ANGLEBase® screws and screwdrivers are based on the standard ISO 10664 3i® and 3i Certain®, Miniplant®, MicroMiniplant™ and Osseotite® are registered trademarks of 3i Implant Innovations, USA

ASTRA TECH™, OsseoSpeed™, ANKYLOS® C/X, XiVE®, FRIADENT®, ASTRATECH implant system™ EV and UniAbutment®

Cerec® are registered trademarks of DENTSPLY SIRONA Implants

BioHorizons® is a registered trademark of BioHorizons, INC.

Brånemark System®, NobelReplace® and Replace Select™, NobelActive™, NobelReplace® CC, NobelSpeedy™ and Multi-unit® are registered trademarks of Nobel Biocare AB,

Neodent®, Grand Morse®, Straumann® and synOcta® are registered trademarks of Straumann Holding AG, Switzerland

MIS® is a registered trademark of MIS Implant Technologies Ltd.

Zimmer Screw-Vent® and SwissPlus® are registered trademarks of Zimmer Dental INC, USA

Dyna® is a registered trademark of Dyna Dental Engineering BV

Locator® is a registered trademark of ZEST IP Holdings

Camlog® and Conelog® are registered trademarks of CAMLOG Biotechnologies AG

Megagen® is a registered trademark of MEGAGEN IMPLANT CO. LTD

Torx is a trademark of ACUMENT INTELLECTUAL PROPERTIES, LLC

Bego Semados® is a registered trademark of BEGO GmbH & Co. KG

Anthogyr® is a registered trademark of Anthogyr SAS

Medentis ICX® is a registered trademark of medentis medical GmbH

Osstem®, Hiossen® is a registered trademark of OSSTEM IMPLANT CO. LTD

Dentium® is a trademark of Dentium Co. Ltd.

GOBALD® is a trademark of Global D SASU.

Biotech Kontakt® is a trademark Biotech Dental SAS.

BTI® is a trademark BTI Biotechnology Institute.

PHIBO® is a trademark PHIBO Dental Solutions S.L.

DESS products can be used only by licensed dentists, physicians and labs.

Please refer ever to the instructions for use available on the website

www.dessdental.com

or supplied with the product.

Some products may not be available in your country. Some of the products are cleared for US and Canada. Please contact your local distributor for more details.



Health Canada
Medical Device Licenses
94512 & 107023





www.dessdental.com

ELLIPTIBASE-EN/2024